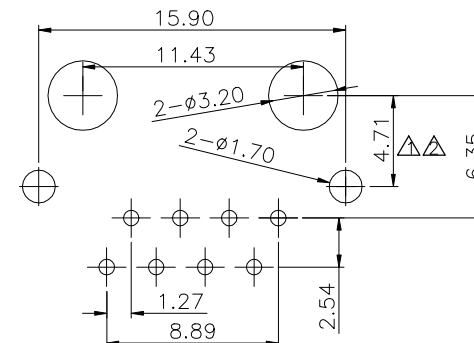
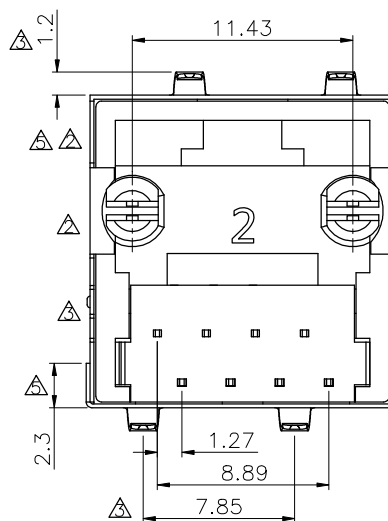
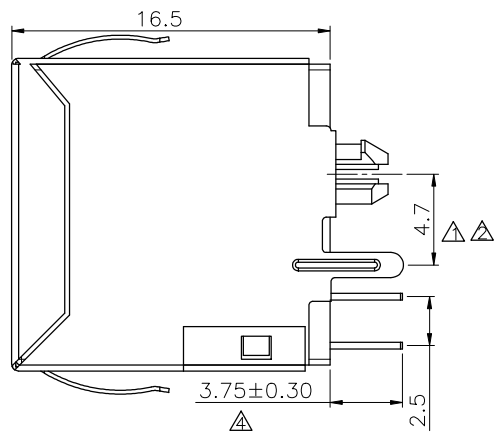
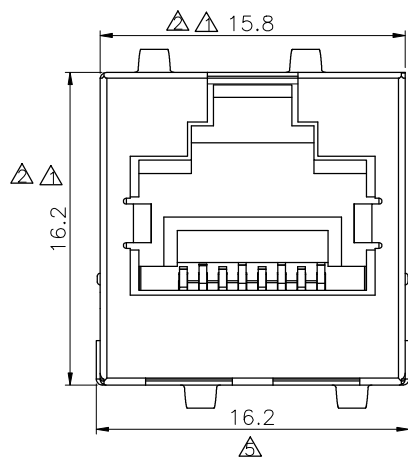


RoHS

THIS IS A RoHS COMPLIANT COMPONENT/PRODUCT.



PC BOARD COMPONENT SIDE SHOWN

NOTES:

ELECTRICAL:

- 1. VOLTAGE RATING : 125 VAC.
- 2. CURRENT RATING : 1.5 AMP.
- 3. CONTACT RESISTANCE : 35 MILLIOHMS MAX.
- 4. INSULATION RESISTANCE : 1000 MEGOHMS MIN. @ 500 VDC.
- 5. DIELECTRIC STRENGTH : 1000 VAC RMS 60Hz, 1MIN.

MECHANICAL:

- 1. HOUSING& INSERT MATERIAL : HIGH TEMP. UL94V-0. STANDARD COLOR: BLACK
- 2. CONTACT MATERIAL : PHOSPHOR BRONZE t=0.35 mm.
- 3. SHIELD : BRASS C2680 H, PLATED 30u"~50u" NICKEL. t=0.20 mm.
- 4. PLATING : GOLD PLATING OVER NICKEL.
- 5. OPERATING LIFE : 750 CYCLES MIN.
- 6. PCB RETENTION PRE-SOLDER : 1 LB MIN.
- 7. PCB RETENTION POST-SOLDER : 10 LBS MIN.

ENVIRONMENTAL:

- 1. STORAGE : -40°C TO +85°C.
- 2. OPERATION : -40°C TO +85°C.

MATES WITH MODULAR PLUG CONFORMING TO TIA-1096-A.

ORDERING INFORMATION:

PART NUMBER                      PRODUCT CODE                      CONFIGURATION  
 3257-0009-02                      RJJS-88-143-ETV-058                      30U" GOLD PLATING, WITH EMI TABS

UL RECOGNIZED - FILE #E465899

△ X3		DRAWING MODIFY	MORGAN	090715
△ X1		DRAWING MODIFY	MORGAN	072515
△ X5		ADD NEW P/N	MORGAN	072515
△ X6		ADD NEW P/N	MORGAN	072415
△ X4		ADD NEW P/N	MORGAN	072215
△ X0	0069000	NEW DESIGN	MORGAN	062415

MARK	ECN-NO.	REVISION RECORD	DRAWN	DATE
		UNLESS OTHERWISE SPECIFIED TOLERANCE	SCALE	CHECKED
		Dimension Range   Tolerance	4:1	
		X.X                      ±0.20	UNIT	APPROVED
		X.XX                     ±0.15	mm	
		X.XXX                   ±0.10	SIZE	
		ANGLE                   ±5°	A3	SHEET 1/1
Material/Plated/Notes		NAME		
SEE NOTE		CAT.6A DEDICATED TOP ENTRY PCB JACK		
Tooling No.		PART NO.	REV.	
		SEE NOTE	5	
		DOC. NO.		