

D-Sub Connectors

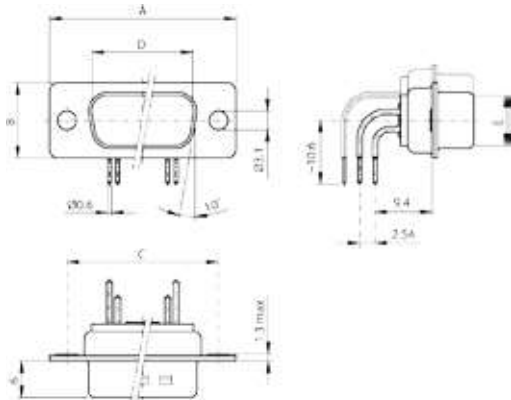
Solder Pin, Angled 9.4 mm

Specifications:

| | |
|------------------|-------------------------------------|
| Insulator: | UL94 V-0, TP |
| Shell: | Stamped Steel, Tin Plated |
| Contacts: | Copper Alloy |
| Contact Plating: | Gold over Nickel |
| Signal Contacts: | Class 2 - 200 mating cycles, AWG 18 |

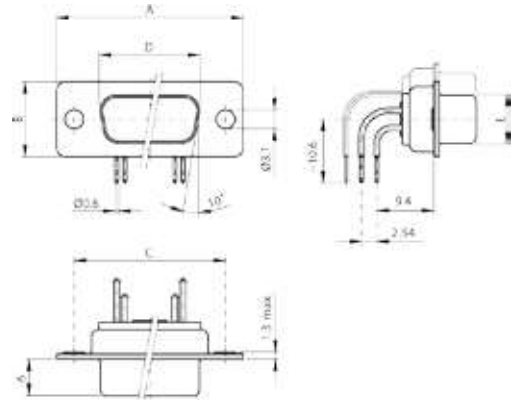


Plug connector



| Size | A | B | C | D | E |
|------|-------|-------|-------|-------|-------|
| DE | 30.80 | 12.40 | 25.00 | 16.79 | 08.23 |
| DA | 39.20 | 12.40 | 33.30 | 25.12 | 08.23 |
| DB | 53.10 | 12.40 | 47.00 | 38.84 | 08.23 |
| DC | 69.50 | 12.40 | 63.50 | 55.30 | 08.23 |
| DD | 67.00 | 15.40 | 61.10 | 52.68 | 10.95 |

Socket connector



| Size | A | B | C | D | E |
|------|-------|-------|-------|-------|-------|
| DE | 30.80 | 12.40 | 25.00 | 16.46 | 08.02 |
| DA | 39.20 | 12.40 | 33.30 | 24.79 | 08.02 |
| DB | 53.10 | 12.40 | 47.00 | 38.50 | 08.02 |
| DC | 69.50 | 12.40 | 63.50 | 54.96 | 08.02 |
| DD | 67.00 | 15.40 | 61.10 | 52.55 | 10.87 |

Order Codes:

Plug Connector

| No. Pos: | Special Contacts | Name: | Part No: |
|----------|------------------|---------------|--------------|
| 05 | 1 | DTS 5W1 PYC | 3310-0300-01 |
| 02 | 2 | DTS 2W2 PS | 3310-0100-02 |
| 03 | 3 | DTS 3W3 P | 3310-0101-01 |
| 03 | 3 | DTS 3W3 PSP | 3310-0101-02 |
| 07 | 2 | DTS 7W2 PYC | 3310-0301-03 |
| 11 | 1 | DTS 11W1 PYC | 3310-0301-04 |
| 05 | 5 | DTS 5W5 P | 3310-0102-01 |
| 09 | 4 | DTS 9W4 PYC | 3310-0302-02 |
| 13 | 3 | DTS 13W3 PYC | 3310-0302-03 |
| 17 | 2 | DTS 17W2 PYC | 3310-0302-04 |
| 21 | 1 | DTS 21W1 PYC | 3310-0302-05 |
| 08 | 8 | DTS 8W8 P | 3310-0103-01 |
| 13 | 6 | DTS 13W6 PYC | 3310-0303-02 |
| 17 | 5 | DTS 17W5 PYC | 3310-0303-03 |
| 21 | 4 | DTS 21WA4 PYC | 3310-0303-04 |
| 25 | 3 | DTS 25W3 PYC | 3310-0303-05 |
| 27 | 2 | DTS 27W2 PYC | 3310-0303-06 |
| 24 | 7 | DTS 24W7 PYC | 3310-0304-01 |
| 36 | 4 | DTS 36W4 PYC | 3310-0304-02 |
| 43 | 2 | DTS 43W2 PYC | 3310-0304-03 |

Socket Connector

| No. Pos: | Special Contacts | Name: | Part No: |
|----------|------------------|---------------|--------------|
| 05 | 1 | DTS 5W1 SYC | 3310-0300-11 |
| 02 | 2 | DTS 2W2 SP | 3310-0100-12 |
| 03 | 3 | DTS 3W3 S | 3310-0101-11 |
| 03 | 3 | DTS 3W3 SPS | 3310-0101-12 |
| 07 | 2 | DTS 7W2 SYC | 3310-0301-13 |
| 11 | 1 | DTS 11W1 SYC | 3310-0301-14 |
| 05 | 5 | DTS 5W5 S | 3310-0102-11 |
| 09 | 4 | DTS 9W4 SYC | 3310-0302-12 |
| 13 | 3 | DTS 13W3 SYC | 3310-0302-13 |
| 17 | 2 | DTS 17W2 SYC | 3310-0302-14 |
| 21 | 1 | DTS 21W1 SYC | 3310-0302-15 |
| 08 | 8 | DTS 8W8 S | 3310-0103-11 |
| 13 | 6 | DTS 13W6 SYC | 3310-0303-12 |
| 17 | 5 | DTS 17W5 SYC | 3310-0303-13 |
| 21 | 4 | DTS 21WA4 SYC | 3310-0303-14 |
| 25 | 3 | DTS 25W3 SYC | 3310-0303-15 |
| 27 | 2 | DTS 27W2 SYC | 3310-0303-16 |
| 24 | 7 | DTS 24W7 SYC | 3310-0304-11 |
| 36 | 4 | DTS 36W4 SYC | 3310-0304-12 |
| 43 | 2 | DTS 43W2 SYC | 3310-0304-13 |



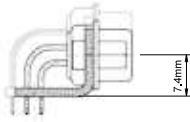
Encitech Connectors AB

Rörkullsvägen 4
SE-302 41 HALMSTAD, Sweden

Tel: +46-(0)35-15 13 90
e-mail: connectors@encitech.com

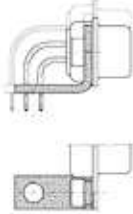
www.encitech.com

D-Sub Connectors



Mounting Height with "Option Bxx" metal bracket is 7.4mm

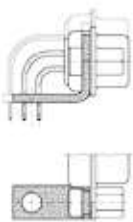
Order Codes - Option B02 - Back Nut UNC 4-40 + Metal Bracket



| Plug Connector | |
|----------------|------------------|
| Any Size | xxxx-xxxx-xx-B02 |

| Socket Connector | |
|------------------|------------------|
| Any Size | xxxx-xxxx-xx-B02 |

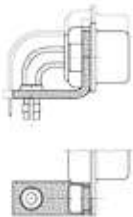
Order Codes - Option B04 - Back Nut + Screw Nut, 5mm Thread, UNC 4-40 + Metal Bracket



| Plug Connector | |
|----------------|------------------|
| Any Size | xxxx-xxxx-xx-B04 |

| Socket Connector | |
|------------------|------------------|
| Any Size | xxxx-xxxx-xx-B04 |

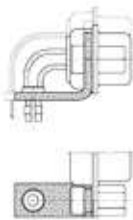
Order Codes - Option B09 - Back Nut UNC 4-40 + Metal Bracket + Clip



| Plug Connector | |
|----------------|------------------|
| Any Size | xxxx-xxxx-xx-B09 |

| Socket Connector | |
|------------------|------------------|
| Any Size | xxxx-xxxx-xx-B09 |

Order Codes - Option B11 - Back Nut + Screw Nut, 5mm Thread, UNC 4-40 + Metal Bracket + Clip



| Plug Connector | |
|----------------|------------------|
| Any Size | xxxx-xxxx-xx-B11 |

| Socket Connector | |
|------------------|------------------|
| Any Size | xxxx-xxxx-xx-B11 |

Also available:

On request:

- Low profile mounting height 6.3mm Bracket
- Plastic Bracket with 7.4mm mounting height
- M3 thread on nuts and inserts
- Riveted Round front nuts in UNC 4-40 or M3

