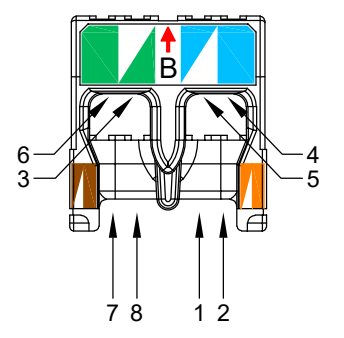
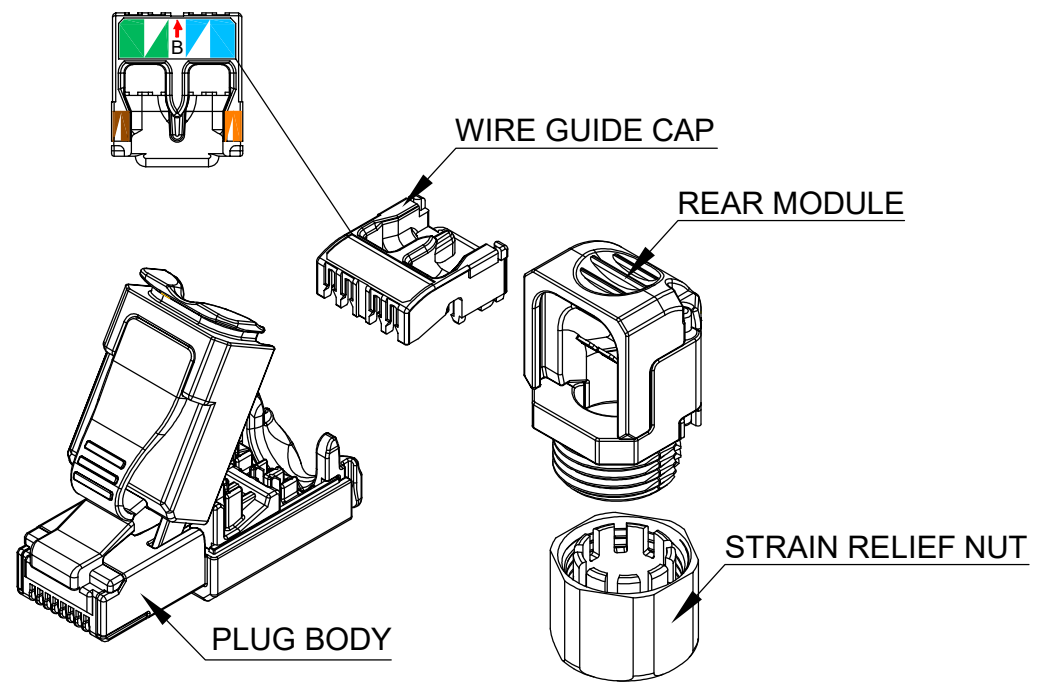
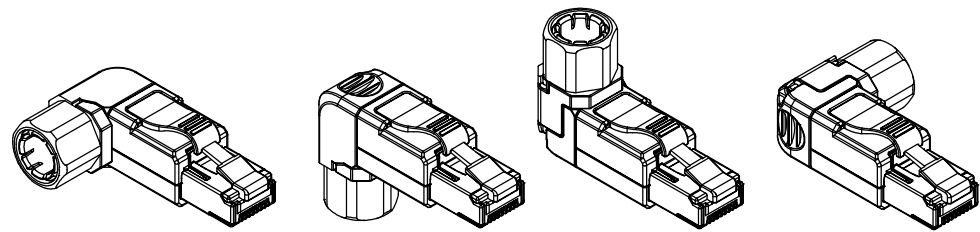


DATE	REV	ECN	APP'D. BY
09/6/19	A0	Released	AB
10/16/19	A1	11459	AB

ISOMETRIC VIEWS

PLUG CAN BE ASSEMBLED INTO FOUR POSITIONS AS SHOWN



COMPONENTS		
ITEM	PART NAME	Q'TY
1	PLUG BODY	1
2	REAR MODULE	1
3	STRAIN RELIEF NUT	1
4	WIRE GUIDE CAP	1

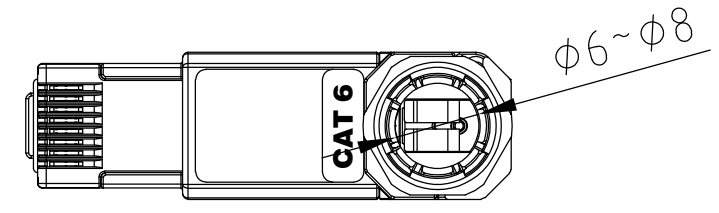
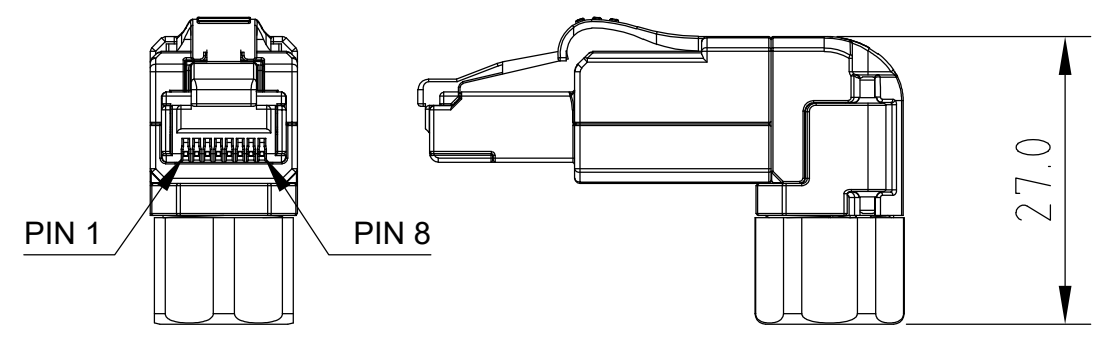
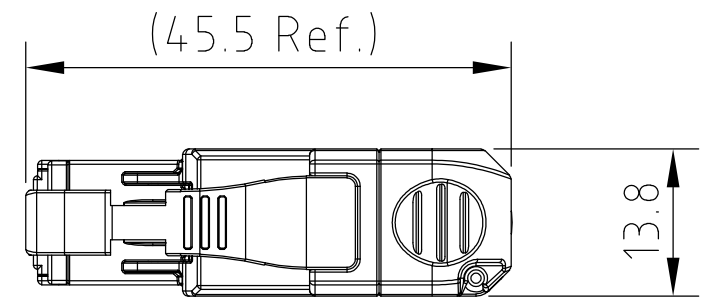
TRANSMISSION PERFORMANCE
Meet all requirements specified in Patch Cord requirement of ANSI/TIA-568-C.2, Category 6

ELECTRICAL
Electrical Insulation Resistance : 500MΩ min. @100V d.c
Dielectric Withstanding Voltage : 1000V D.C or A.C Peak, Contact to Contact; 1500V D.C or A.C Peak, Contact to Shield @ 60Hz for 1 Minute.

MECHANICAL
IDC Wire Gauge : 22 ~ 26 AWG
This product works with 26 AWG, but cannot have been previously used with any other wire gauge if being used with 26 AWG.
The rear module can be assembled onto the plug body in four different 90° orientations

PHYSICAL
Housing : Zinc-alloy fully shielded
Contact pin : Phosphor Bronze Alloy Plated With 50 micro-inch of Gold
IDC : Phosphor Bronze Alloy With 100 micro-inch 100% Sn Alloy

ASSEMBLY DIMENSION



WIRE MAP PER TIA T568B	
PIN #	WIRE COLOR
1	WHITE/ORANGE
2	ORANGE
3	WHITE/GREEN
4	BLUE
5	WHITE/BLUE
6	GREEN
7	WHITE/BROWN
8	BROWN

SS-39300-003
PART NUMBER

THIRD ANGLE PROJECTION
DO NOT SCALE DRAWING
DRAWING IS SUBJECT TO CHANGE WITHOUT NOTICE
DIMENSIONS: METRIC
UNLESS OTHERWISE SPECIFIED TOLERANCES ARE ±0.2 ANGLES ARE ± 1°
SHEET NO. 1 OF 1

11118 Susquehanna Trail South
Glen Rock, PA 17327-9199
(717) 235-7512
<http://www.stewartconnector.com>

stewart
CONNECTOR
a bel group

TITLE: CAT 6 FIELD TERMINATED 90° PLUG		DRN BY: JM	DATE: 09/5/19
THIS DRAWING AND THE SUBJECT MATTER SHOWN THEREON ARE CONFIDENTIAL AND THE PROPRIETARY PROPERTY OF STEWART CONNECTOR AND SHALL NOT BE REPRODUCED, COPIED, OR USED IN ANY MANNER WITHOUT PRIOR WRITTEN CONSENT OF STEWART CONNECTOR. ONE OR MORE U.S. PATENTS MAY APPLY TO THIS PRODUCT. FOR DETAILS, PLEASE VISIT: HTTP://BELFUSE.COM/STEWART/STEWART_PATENTS/		APPD BY: AB	DATE: 09/6/19
		DWG NO. CT390224	REV. A1

