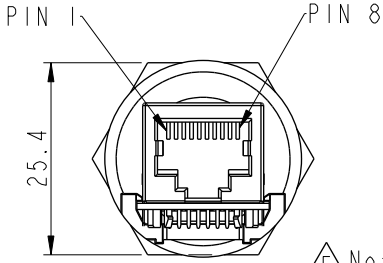
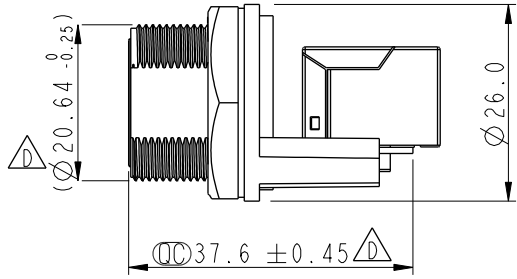
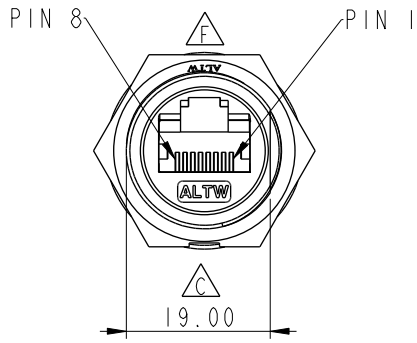
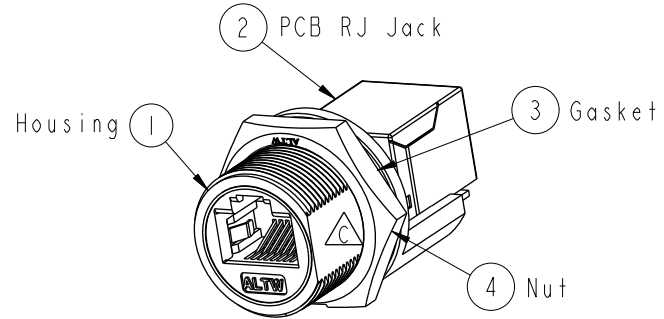
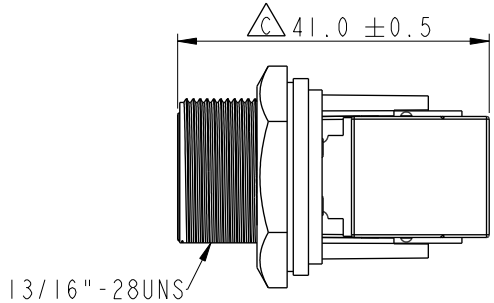
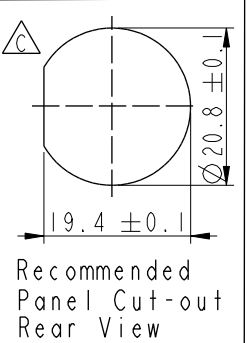


REV.	ECN NO.	DATE	SIGN	DESCRIPTION
D	LEN1810036	2017/11/28	Jalam	Change The Tolerance
E	C190405	2019/03/14	Ruru	Modify Note
F	C200524	2020/04/22	Vicky	△F*2



- △E Note:
- \* (⊘) Important Dimension
  - \* Waterproof Rate : IP67, Unmated
  - \* Housing: Thermoplastic, Black
  - \* Nut: Thermoplastic, Black
  - \* Gasket: Rubber, Gray.
  - \* PCB: FR-4
  - \* Jack : Thermoplastic
  - \* Use without Waterproof cap or Dust cap For Panel Thickness Max: 4.2mm
  - \* Use with Waterproof cap or Dust cap For Panel Thickness Max: 3.0mm
  - \* Screw torsion value range: 8~12kgf-cm
  - \* Gasket and Nut are packed separately in PE bags.



UNIT: mm

TOLERANCE	
.X	±0.25
.XX	±0.1
.XXX	±0.05
ANGLES	±1°

TITLE RJ, C PLASTIC, C5E SHLD FRONT FASTENED, F, PNL JACK S, SCREW			
SCALE 1:1	SIZE A4	SHEET 1 OF 1	
REV. F	WC-REV. C.3	⊘: Inspection item	

**Amphenol LTW**  
安費諾亮泰企業股份有限公司

ITEM NO. RCP-5SPFFH-SCU7001	DRAWN BY Ruru	DATE 2019-03-14
DWG NO. RCP-5SPFFH-SCU7001	CHECKED BY Rita	DATE 2019-03-14
CUSTOMER ALTW	APPROVED BY Max	DATE 2019-03-14

THIS DOCUMENT IS SUBJECT TO CHANGE WITHOUT NOTICE. IT IS CONFIDENTIAL AND A PROPERTY OF Amphenol LTW. DISCLOSURE TO THIRD PARTY HAS TO BE AUTHORIZED BY Amphenol LTW.